



PMC Product Update

What's new?



New AP-3 Air Purge Gun





Technical Specifications

| | |
|-----------------------------------|---------------------------------|
| Weight w/o Coupling block | 2.4 lbs. (1.1 kg) |
| Maximum Operating Pressure | 3,500 psi (240 bar) |
| Maximum Production | 50 lbs./min (22.7kg/min) |
| Minimum Production | 3.3 lbs./min (1.5kg/min) |
| Maximum Air Pressure | 125 psi (8.6 bar) |





New AP-3 Air Purge Gun

- **New Design Eliminates the Stabilizer Bar**
- **Allows for Alternate Attachment of Hoses**
- **Takes the Best of Previous Design (AP-2) and Incorporates it in New Design**
- **Super Quick Trigger Response for more Control**
- **Made In the USA!**





New AP-3 Air Purge Gun

- **Lightweight and Compact Design**
- **Short Trigger Strokes**
 - Reduces Operator Fatigue
 - Allows for More Accurate Control of Application
- **Less parts than Most Competitors Air Purge Guns**
- **Simple Assembly and Disassembly**
- **Cartridge Trigger Valve Design**
(No More Spool Valve and O-Rings!)



AP-3 AP-2 Common Parts

- Chambers
- PCT's
- Screen Screws
- Screens
- O-rings
- Side Seals
- Check Valves and related Parts
- Coupling Block





New AP-3 Air Purge Gun

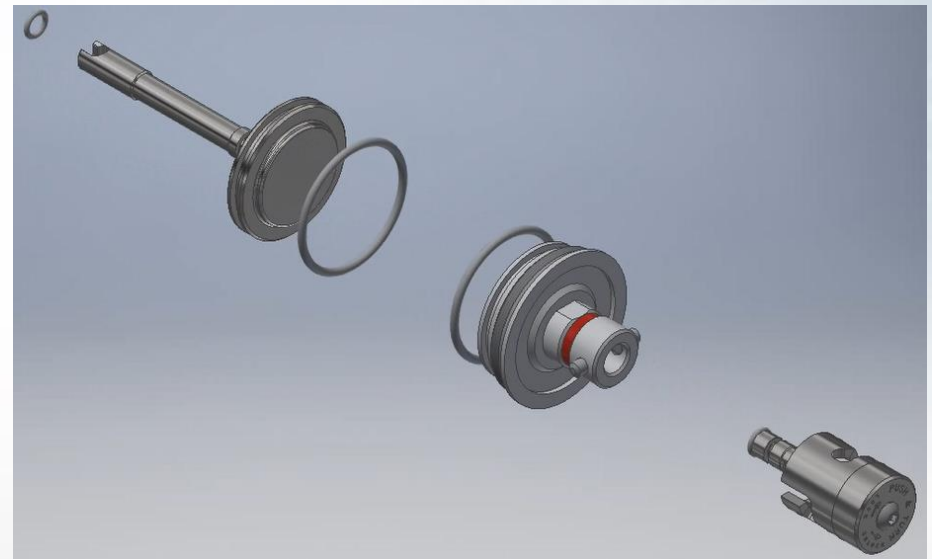
- **2 Separate Options for Incoming Air Supply**
- **For Sprayers Comfort and Preference**
 - **Back of the Handle**
 - **Bottom of the Handle**





New AP-3 Air Purge Gun

- Simple Safety Stop
- Easy to Use and Adjust
- One Piece Piston Design
 - Minimal wear points





New AP-3 Air Purge Gun

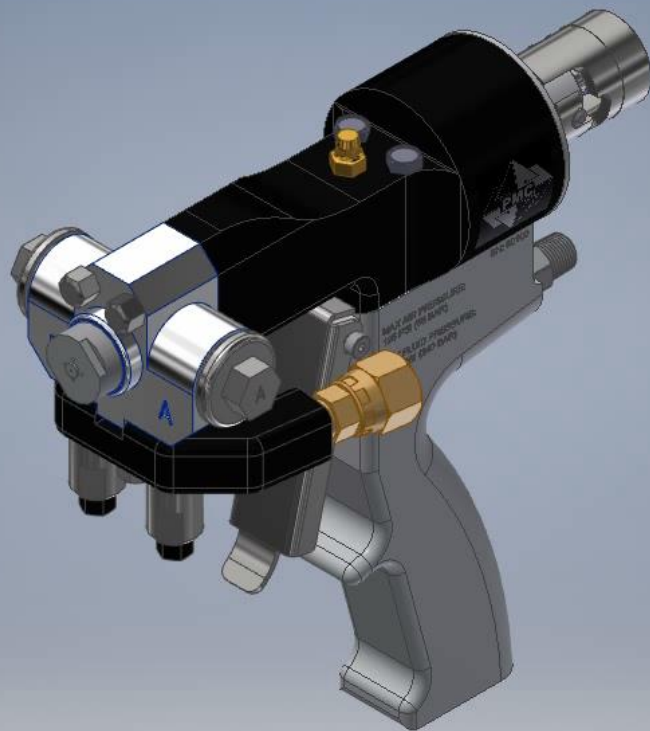
- **Advanced Design for Pattern Development and Mixing**
 - **Separate Hardened Pattern Control Tip**
 - **“NEW” Adhesion Resistance Coating**
 - **Series of Air Passages to Reduce Material Buildup on the Spray Tip**
 - **Full Range of Round and Flat PCTs**
 - **Pour Tip and Other Custom Configurations**
 - **Blaster Tip Designed to Spray up to 15 Feet (5 meters)**



New AP-3 Air Purge Gun

- **Rebuild-able Manual Valve Assembly**
 - **Repair Kit Includes All Pieces Required to Complete Repair**
 - **Durable Long Lasting Design**
 - **Low Operating Costs**





www.polymacusa.com

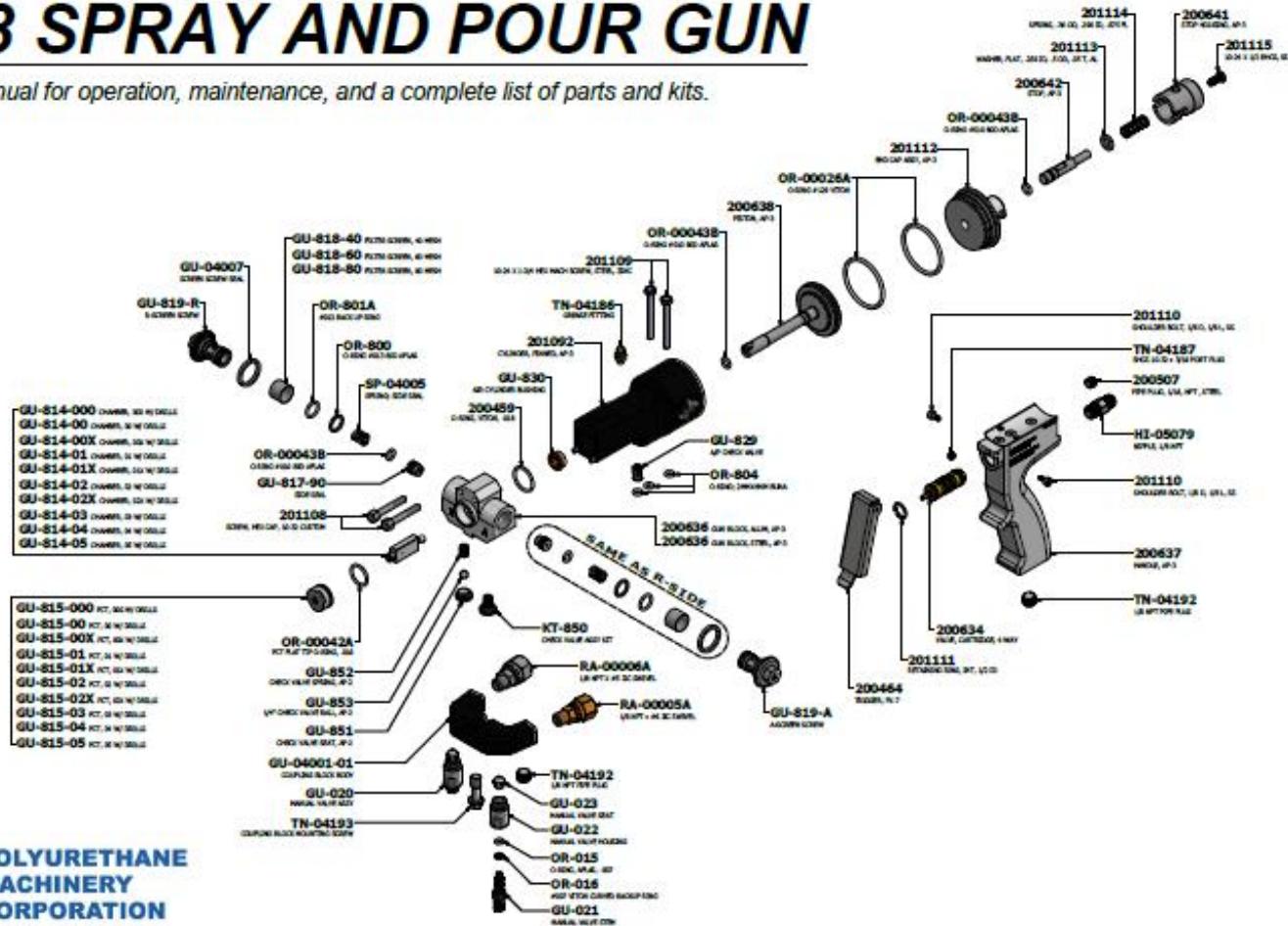


Parts poster for printing up to 22"x 34"



AP-3 SPRAY AND POUR GUN

See Gun Manual for operation, maintenance, and a complete list of parts and kits.





Questions and Answers

